

Model : SYNC-X8-OCS3T / OCS5T

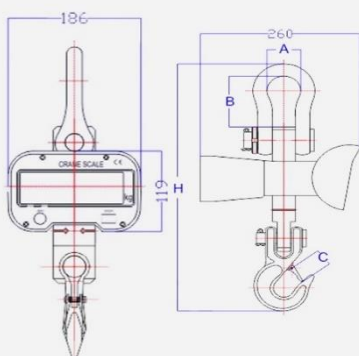


Product Features:

- Type of electronic crane scale with high accuracy, one side direct display measuring unit which combine load cell and power supply together
- Can be directly hung on the hook of a hoist and ensure the scale to complete the tasks of loading and weighing goods synchronously
- Remote control of tare, zero and accumulation
- The screen is made up of super-bright tube (LED) which can be easily seen in 25 meters
- The scale body is made of strong alloy aluminium
- The structure is compact and operation is quite easy
- Can be widely used in manufacturing, fabric producing, chemical and medicine engineering, keeping grain and good in the storehouse, buying and selling of farming product etc
- Equipped with wireless communication, ranged up to 500m with video data transmission
- Ideal for customer's unique application and suitable for long distance monitor and management

Product Specification:

Model	SYNC-X8-OCS3T	SYNC-X8-OCS5T
Capacity	3t	5t
Division	1kg	2kg
Application	Crane	
Accuracy	OIML III	
Taring Range	100% F. S	
Max. Safe Load	125% F. S	
Overweight Alarm	110% F. S	
Power Supply	Full Seal Airtight Recharge Battery 6V10AH	
Result Steady Display	3 ~ 7 Seconds	
Display Tube	Super-bright LED	
Net Weight	11.5kg	15kg
Limit Coefficient	4	
Working Temperature Range	-10°C ~ +40°C	
Remote Controller Distance	≤20m	



External Dimensions (mm)

Model	OCS3T	OCS5T
A	50	75
B	93	120
C	40	45
H	500	545

